

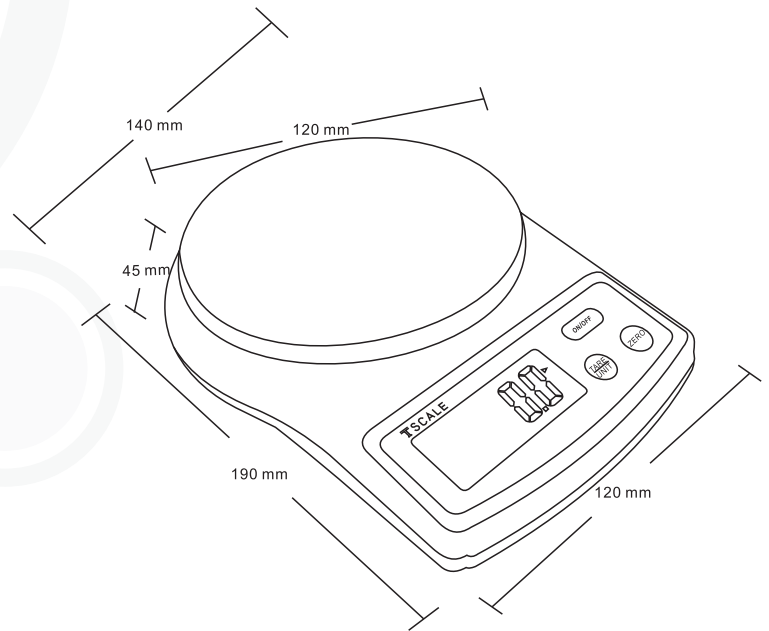
LB-I SERIES PORTABLE BALANCE



► FEATURES

- Selectable weighing unit(g/oz)
- 15mm digits high LCD display
- Tare, hold, weighing unit shift function
- Dry battery cell powered (Size AA X 2)
- Selectable 10000/20000 resolution

► DIMENSION(mm)



► SPECIFICATIONS

MODEL	LB-I	
Display	15mm digits high LCD display	
Keyboard	3 keys	
Pan size	Round 120	
Resolution	10,000d	20,000d
Capacities	1000g*0.1g/2000g*0.2g/5000g*0.5g	200g*0.01g/2000g*0.1g
Operate temp	0°C~+40°C	
ADC	sigma delta	
ADC update	≤1/10 second	
Housing	ABS plastic	
Power	Dry battery cell powered (size AA 1.5V X 2)	
Gross weight	0.5kg	